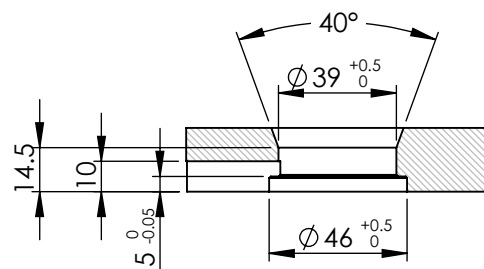
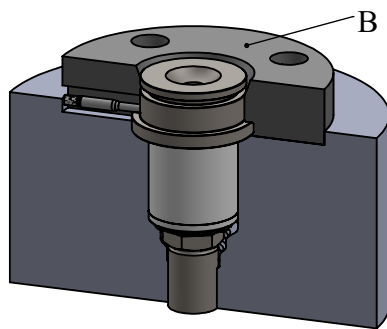


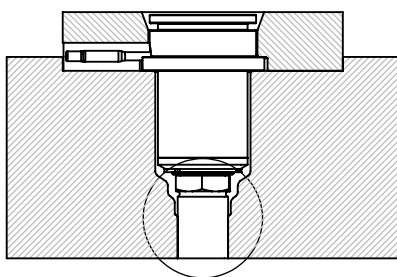
Detail view of nozzle's entry



B : Detail view of injection ring

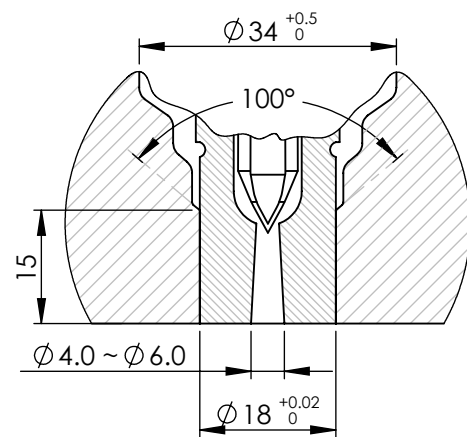


Isometric view of nozzle's placement in the mold



C

C (3:1)




Detail view of nozzle's injection point

* There are 9 standard available sizes of this nozzle type as listed below.

** The "L1" length can be increased up to 250 mm by customer's order.

NOZZLE	S 44 C 104*	L1 (mm)**	L2 (mm)	Heater's Power (W)
S 44 C 104 * 80		80	60	300
S 44 C 104 * 90		90	70	300-350
S 44 C 104 * 100		100	80	300-350
S 44 C 104 * 110		110	90	350-400
S 44 C 104 * 120		120	100	400-450
S 44 C 104 * 130		130	110	450-500
S 44 C 104 * 140		140	120	500-550
S 44 C 104 * 150		150	130	550-600
S 44 C 104 * 160		160	140	600-650

Title :	
NOZZLE	
Model :	Tel. No.: (+98)2122436853 Website : www.ihco.co
S 44 C 104 * L1	