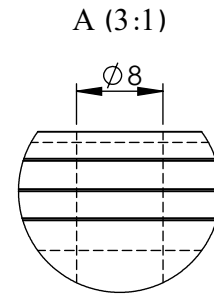
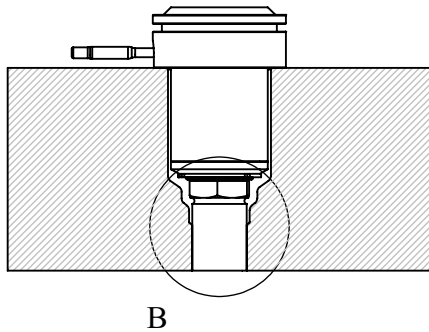
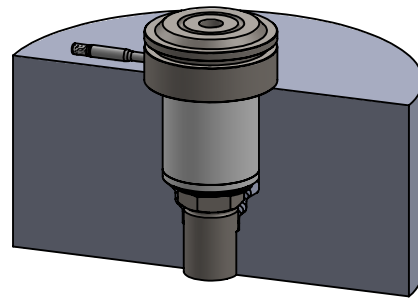


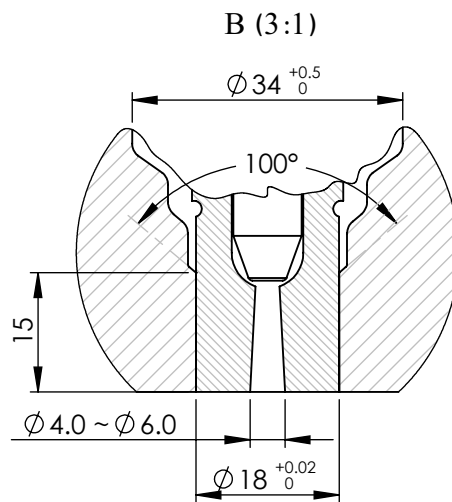
Isometric view of nozzle's placement in the mold



Detail view of nozzle's entry



B




Detail view of nozzle's injection point

* There are 9 standard available sizes of this nozzle type as listed below.

** The "L1" length can be increased up to 250 mm by customer's order.

NOZZLE M 44 C 102 *	L1 (mm) **	L2 (mm)	Heater's Power (W)
M 44 C 102 * 80	80	60	250
M 44 C 102 * 90	90	70	250-300
M 44 C 102 * 100	100	80	300-350
M 44 C 102 * 110	110	90	300-350
M 44 C 102 * 120	120	100	350-400
M 44 C 102 * 130	130	110	400-450
M 44 C 102 * 140	140	120	450-500
M 44 C 102 * 150	150	130	550-600
M 44 C 102 * 160	160	140	550-600

Title :	
NOZZLE	
Model :	Tel. No.: (+98)2122436853 Website : www.ihco.co
M 44 C 102 * L1	