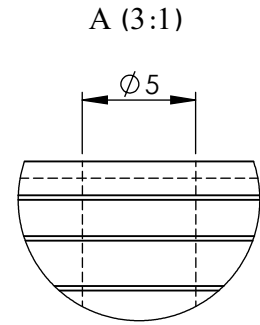
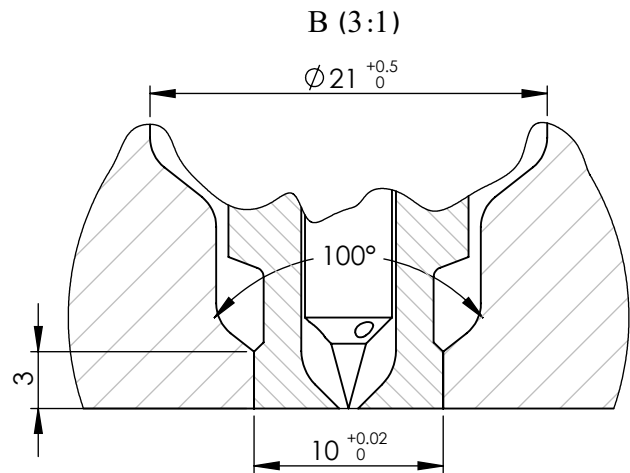
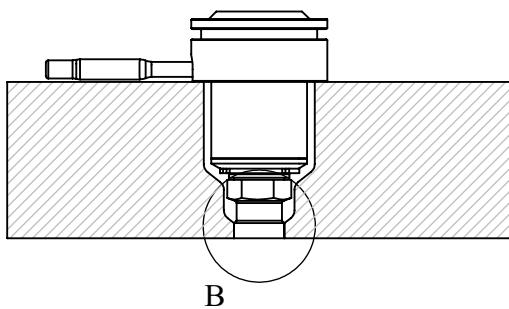
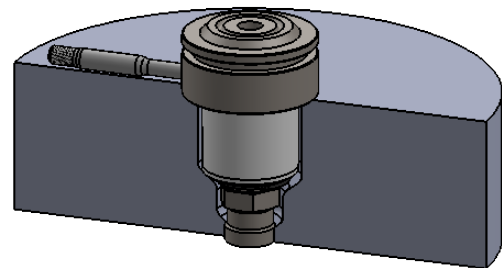


Isometric view of nozzle's placement in the mold



Detail view of nozzle's entry




Detail view of injection point

* There are 7 standard available sizes of this nozzle type as listed below.

** The "L1" length can be increased up to 130 mm by customer's order.

NOZZLE	M 27 N 101 *	L1 (mm) **	L2 (mm)	Heater's Power (W)
M 27 N 101 • 47		47	33	150
M 27 N 101 • 57		57	43	200
M 27 N 101 • 67		67	53	200-250
M 27 N 101 • 77		77	63	250-300
M 27 N 101 • 87		87	73	250-300
M 27 N 101 • 97		97	83	250-300
M 27 N 101 • 107		107	93	300

Title :	
NOZZLE	
Model :	Tel. No.: (+98)2122436853 Website : www.ihco.co
M 27 N 101 * L1	